

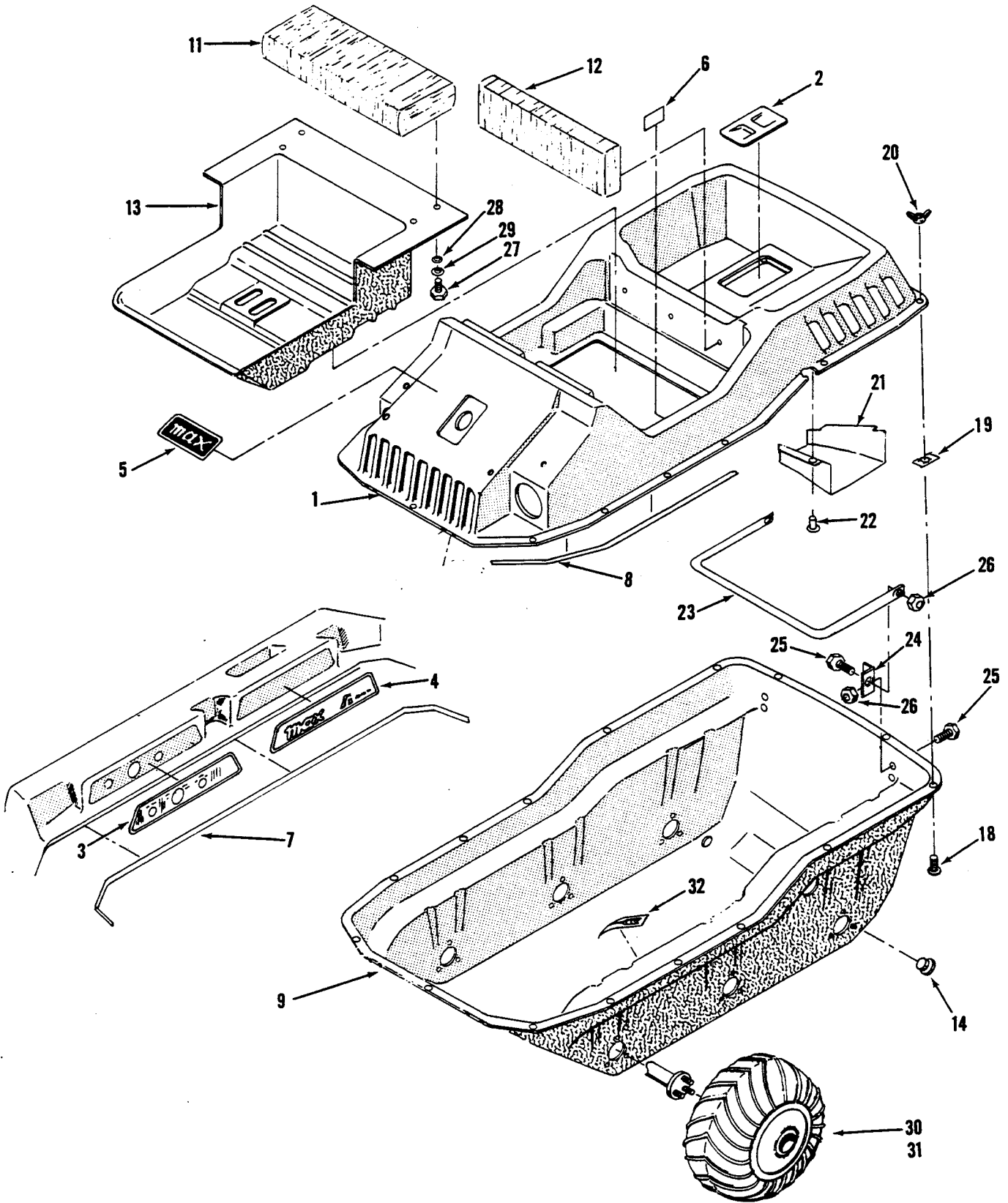
***Recreatives***  
**ALL-TERRAIN**  
**VEHICLE**  
**PARTS**

MAX II MODELS

Recreatives Industries, Inc.  
60 Depot Street  
Buffalo, New York 14206  
716/855-2226



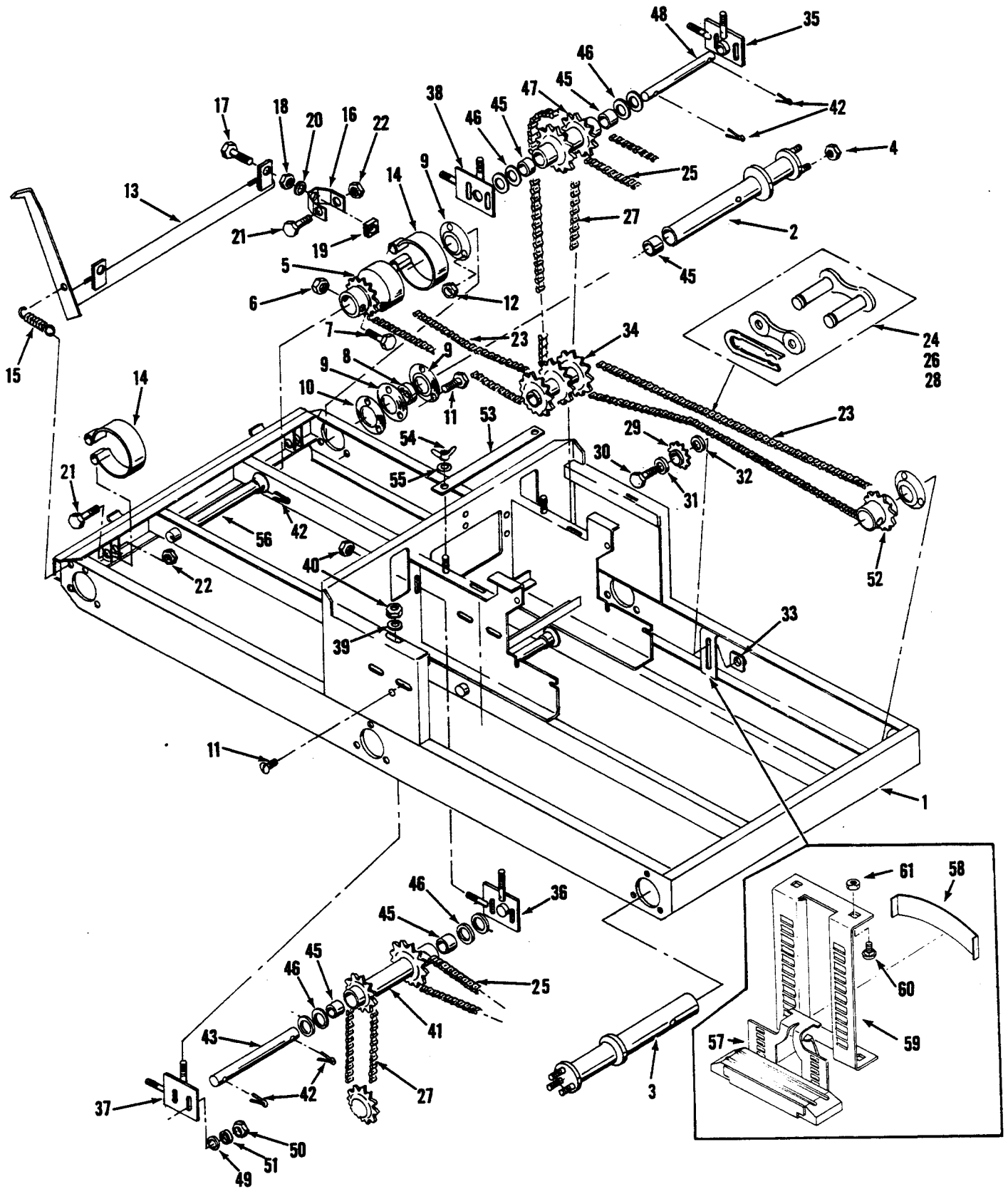
# BODY ARRANGEMENT



## BODY ARRANGEMENT

REF. NO.	PART NUMBER	DESCRIPTION	QUANTITY			
			4 CYCLE	BIG MAX	340T	295
1	40065B	Upper Body	1	1	1	1
2	21003B	Hatch Cover - Serial No. 2260 and before				1
	21027C	Hatch Cover - Serial No. 2261 and after		1	1	1
	21080A	Hatch Cover		1		
3	21004A	Dash Decal - Left Hand except Kawasaki	1	1	1	1
	21084A	Dash Decal - Left Hand Kawasaki		1		
4	21005A	Dash Decal - Right Hand	1	1	1	1
5	21006A	MAX Decal	1	1	1	1
6	21007A	Serial Plate	1	1	1	1
7	21008A	Dash Moulding	1	1	1	1
8	21016A	Body Seal	1	1	1	1
9	21001B	Lower Body	1	1	1	1
11	21009A	Seat Cushion	1	1	1	1
12	21011A	Seat Back	1	1	1	1
13	21002B	Footwell	1	1	1	1
N.I.	15182A	Hair Pin Cotter/Footwell	1	1	1	1
14	21014A	Body Drain Plug	2	2	2	2
18	10088A	Flange Bolt - Body	15	15	15	15
19	10078A	Speed Nut - Body	15	15	15	15
20	10079A	Wing Nut - Body	15	15	15	15
21	70147B	Hot Air Duct				1
	70147B	Hot Air Duct - Kohler Engine		1		
	70285A	Hot Air Duct - JLO Engine		1	1	
	70333A	Hot Air Duct - Kawasaki Engine		1		
	70333A	Hot Air Duct	1			
22	15083A	Pop Rivet	4	4	4	4
23	70153A	Rear Body Support	1	1	1	1
24	70154A	Rear Support Bracket	2	2	2	2
25	10017A	Hex Bolt 1/4" x 3/4"	6	6	6	6
26	10069A	Locknut 1/4"	6	6	6	6
27	10020A	Hex Bolt 5/16" x 1"	7	7	7	7
28	10008A	Lockwasher 5/16"	7	7	7	7
29	10014A	Flat Washer 5/16"	7	7	7	7
30	15067A	Left Tire	3	3	3	3
	015503	Left Tire use on 5 Stud Axle Assy.	3	3		
31	15068A	Right Tire	3	3	3	3
	015504	Right Tire use on 5 Stud Axle Assy.	3	3		
32	21021A	Decal - Emergency Brake	1	1	1	1
	21073A	Decal - 340T			2	
	21028A	Decal - BIG MAX		2		

# FRAME AND DRIVES



FRAME AND DRIVES

REF. NO.	PART NUMBER	DESCRIPTION	4 CYCLE	BIG MAX	340T	295
1	70319A	Frame	1	1	1	1
2	70080B	Axle-Front & Center Serial 5520 & before	4		4	4
2	70301A	Axle-Front & Center Big MAX Serial 6219 & before 295 & 4-cycle Serial 5521 to 6220	4	4		4
		TRAK MAX II	4	4		
		Vehicle w/Swamp Buggy Tire Serial 6220 & After	4	4		
2	70348A	Axle-Front & Center Serial 6220 & after Except TRAK MAX II & Vehicles w/Swamp Buggy non-demountable tires	4	4		
3	70081B	Axle-Rear Serial 5520 & Before	2		2	2
3	70302A	Axle-Rear BIG MAX Serial 6219 & before 295 & 4-cycle Serial 5521 to 6220	2	2		2
		TRAK MAX II	2	2		
		Vehicle w/Swamp Buggy Tire serial 6220 & after	2	2		
3	70349A	Axle-Rear Serial 6220 to 6907 except TRAK MAX II and Veh w/swamp buggy non demountable tires	2	2		
3	70348A	Axle-rear 6908 & after same as front and center axle	2	2		
4	10073A	Flanged Locknut 3/8 NC	18	18	18	18
	015017	Lug Nut for 5 Lug Axle	30	30		
5	70166B	Drum & Sprocket 25T Serial 3050 & before				2
	70310A	Drum & Sprocket 26T Serial 3051 to 5520	2		2	2
	70281A	Drum & Sprocket 22T		2		
	70281A	295 & 4-cycle serial 5521 & after	2			2
6	10072A	Locknut 3/8 NF 70080B & 70081B axle	6		6	6
	10092A	Locknut 7/16 NF all other axles	6	6		6

FRAME AND DRIVES

REF. NO.	PART NUMBER	DESCRIPTION	QUANTITY			
			4 CYCLE	BIG MAX	340T	295
7	10030A	Hex Bolt 3/8 NF x 2 1/2"	6		6	6
		70080B and 70081B axle				
	10091A	Hex Bolt 7/16 NF x 2 1/4"	6	6		6
		all other axles				
8	15012A	Axle Bearing w/Locking Collar	6	6	6	6
	15012F	Axle Bearing w/Locking Collar	6	6	6	6
		when grease fitting are installed				
9	15014A	Bearing Flangette	18	18	18	18
			12	12	12	12
	15283A	Bearing Flangette	6	6	6	6
		w/grease fitting				
10	15015A	Flangette Gasket	6	6	6	6
11	10029A	Carriage Bolt 3/8" NC x 1	26	26	26	26
12	10071A	Locknut 3/8 NC	18	18	18	18
13	70179A	Pedal Assy. Emergency Brake	1	1	1	1
14	15157A	Brake Band	2	2	2	2
15	15100A	Spring	1	1	1	1
16	70208A	Clevis	2	2	2	2
17	10084A	Hex Bolt 5/16 x 2 1/4	2	2	2	2
18	10002A	Hex Nut 5/16 NC	2	2	2	2
19	10068A	Square Nut 5/16 NC	2	2	2	2
20	10008A	Lock Washer 5/16	2	2	2	2
21	10085A	Hex Bolt 1/4 x 1 3/4	4	4	4	4
22	10069A	Locknut 1/4 NC	4	4	4	4
23	15020A	Chain Assy. RC 40 -126			4	4
		Serial No. 5520 and before				
23	15142A	Chain Assy. RC 50 -102 P	4	4	4	4
		BIG MAX and all after				
		Serial No. 5520				
24	15017A	Chain Connecting Link RC 40			4	4
25	15021A	Chain Assy. RC 50 - 46 P	2	2	2	2
26	15018A	Chain Connecting Link RC 50	AR	AR	AR	AR
27	15022A	Chain Assy. RC 60	2	2	2	2
28	15019A	Chain Connecting Link RC 60	2	2	2	2
29	70122A	Idler Sprocket				4
		Serial No. 3050 and before				
30	10027A	Hex Bolt 5/8 NF x 2				4
		Serial No. 3050 and before				
31	10024A	Lock Washer 5/8				4
		Serial No. 3050 and before				
32	10025A	Flat Washer 5/8				4
		Serial No. 3050 and before				
33	70078A	Nut Assy.				4
		Serial 3050 and before				

FRAME AND DRIVES

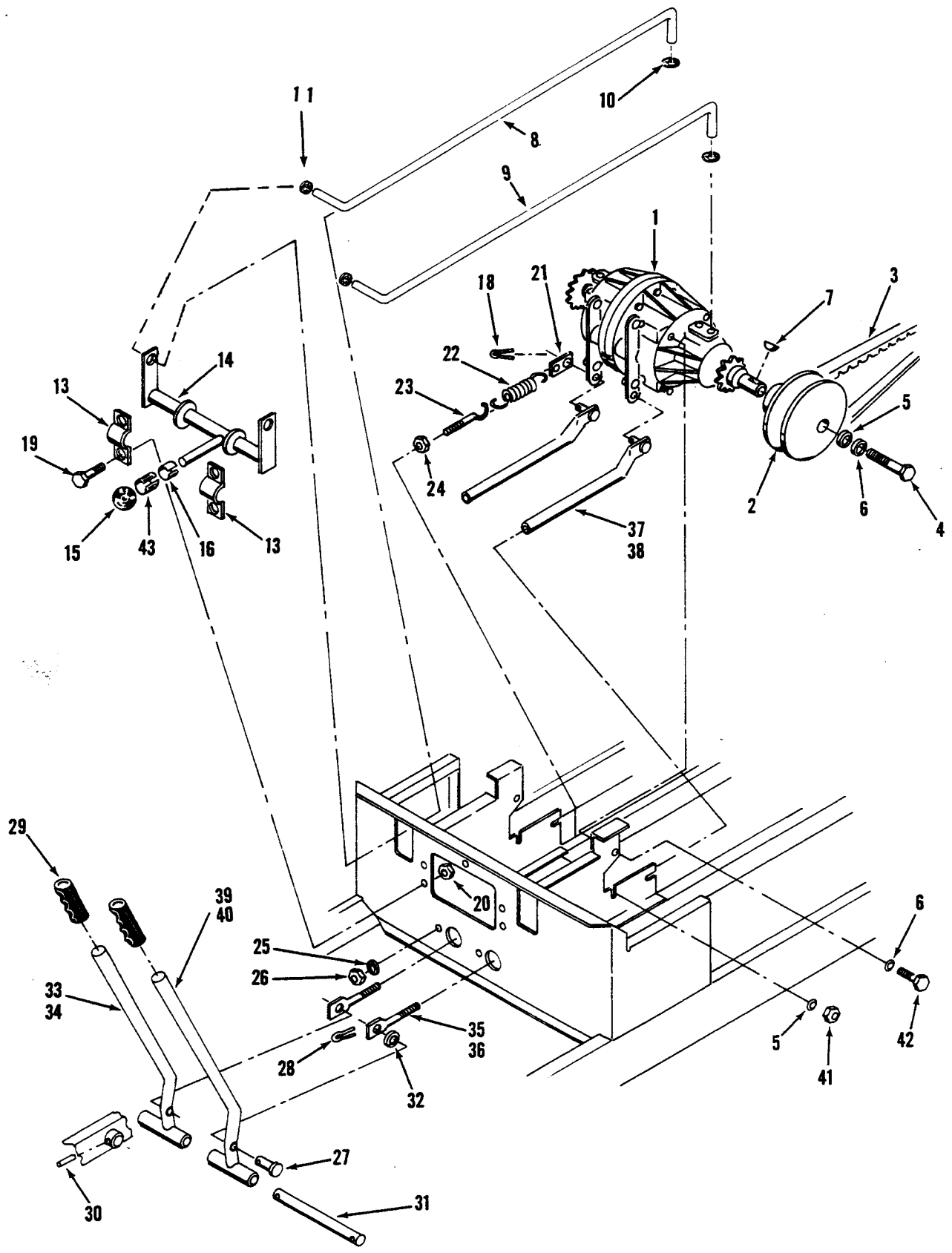
REF. NO.	PART NUMBER	DESCRIPTION	4 CYCLE	BIG MAX	340T	295
34	70053A	Sprocket Assy. - Ctr 25T Serial 3050 and before				2
	70309A	Sprocket Assy. Ctr 26T Serial 3051 to 5520	2		2	2
	70280A	Sprocket Assy. Ctr 22T		2		
	70280A	Sprocket Assy. Ctr 225 Serial 5521 and After	2			2
35	70064A	Adjusting Bracket - RH Out	1	1	1	1
36	70066A	Adjusting Bracket - LH In	1	1	1	1
37	70065A	Adj Bracket - LH outer	1	1	1	1
38	70067A	Adj Bracket - RH Inner	1	1	1	1
N.I.	70312A	Angle-Jackshaft adjustng bracket	4	4	4	4
39	10014A	Flat Washer 5/16	8	8	8	8
40	10070A	Locknut 5/16NC	8	8	8	8
41	70331A	Jackshaft Sprocket LH	1	1	1	1
42	15125A	Cotter Pin 3/16	7	7	7	7
45	15010A	Bushing	8	8	8	8
46	10026A	Flat Washer 3/4 SAE	AReq'd	AR	AR	AR
47	70332A	Jackshaft Sprocket Assy RH	1	1	1	1
48	70063B	Jackshaft	1	1	1	1
49	10015A	Flat Washer 3/8	8	8	8	8
50	10003A	Hex Nut 3/8 NC	8	8	8	8
51	10009A	Lock Washer 3/8	8	8	8	8
52	70054A	Sprocket Assy. Rear 25T Serial 3050 & before				2
	70308A	Sprocket Assy. Rear 26T Serial 3051 to 5520				2
	70279A	Sprocket Assy. - Rear 22T Serial 5521 to 6907	2	2	2	
	70279B	Sprocket Assy. Rear 22 T Serial 6908 & After Use w/axle 70348A	2	2		
53	70115A	Battery Strap	1	1	1	1
54	10036A	Wing Nut 1/4 NC	2	2	2	2
55	10007A	Lock Washer 1/4	2	2	2	2
56	70026A	Replacement Stub Shaft	3	3	3	3

FRAME AND DRIVES

REF. NO.	PART NUMBER	DESCRIPTION	QUANTITY			
			A CYCLE	BIG MAX	3AOT	295
57	70261A	Slide-type Chain Adjuster Serial 3051 and after	4	4	4	4
58	70289A	Flat Spring for above Serial 3051 and after	4	4	4	4
59	70322A	Idler Racket Plate Serial 3051 and after	4	4	4	4
60	10114A	Carriage Bolt 1/4 NC x 1/2 Serial 3051 and after	16	16	16	16
61	10069A	Locknut 1/4 NC Serial 3051 and after	16	16	16	16



# TRANSMISSION AND CONTROLS



## TRANSMISSION AND CONTROLS

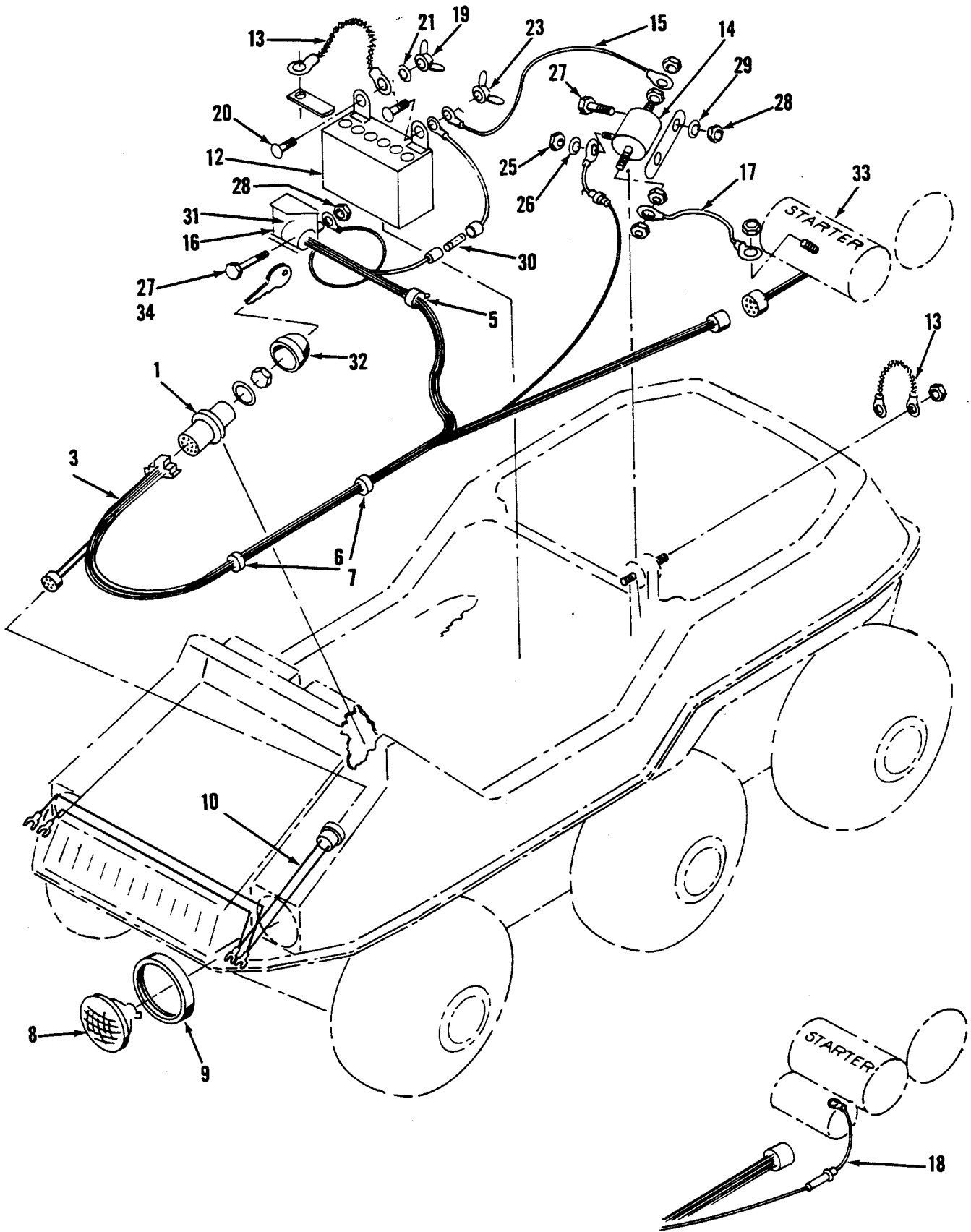
### QUANTITY

REF. NO.	PART NUMBER	DESCRIPTION	4 CYCLE	BIG MAX	340T	295
1	35002A	Transmission Assy.	1	1	1	1
2	15025A	Driven Pulley - Salsbury 780				1
	15137A	Driven Pulley - Salsbury 910		1	1	
	018024	Driven Pulley - Salsbury 780	1			
3	15026A	Drive Belt	1			1
		Serial No. 3631 and before				
	15252A	Drive Belt				1
		Serial No. 3632 and after				
	15138A	Drive Belt		1	1	
4	10042A	Bolt Hex 3/8 NF x 3 1/2	1	1	1	1
5	10015A	Flat Washer 3/8 USS	5	5	5	5
6	10009A	Lock Washer 3/8	3	3	3	3
7	15089A	Woodruff Key 3/16 x 3/4	1	1	1	1
8	70306A	Shift Rod -(1 pc.) RH	1	1	1	1
9	70307A	Shift Rod -(1 pc.) LH	1	1	1	1
10	15143A	Push Nut - 1/4	2	2	2	2
		late model use cotter pin				
11	15144A	Push Nut - 5/16	2	2	2	2
13	70047A	Bracket	2	2	2	2
14	70027A	Control Lever Assy. - Shift	1	1	1	1
15	21012A	Gear Shift Knob	1	1	1	1
16	15129A	Shim	1	1	1	1
18	15034A	Cotter Pin 1/8 x 1 1/2	2	2	2	2
19	10019A	Hex Bolt 5/16 NC x 3/4	4	4	4	4
20	10070A	Locknut 5/16 NC	4	4	4	4
21	70043A	Spring Link		2	2	2
		Serial No. 3688 and before				
22	15035A	Spring - Steering Levers	2	2	2	2
23	15036A	Eye Bolt 5/16 x 3	2	2	2	2
24	10068A	Square Nut 5/16 NC	2	2	2	2
25	10008A	Lock Washer 5/16	2	2	2	2
26	10002A	Hex Nut 5/16 NC	2	2	2	2
27	15121A	Clevis Pin 5/16 x 1	2	2	2	2
28	15065A	Cotter Pin 1/8 x 1/2	2	2	2	2
29	21013A	Hand Grips	2	2	2	2
30	15023A	Spring Pin 3/16 x 1	1	1	1	1
31	70048A	Shaft- Steering Levers	1	1	1	1
32	10014A	Flat Washer 5/16	2	2	2	2
33	70032A	Control Lever Assy. RH				1
		Serial No. 2168 and before				
34	70198A	Control Lever Assy. RH	1	1	1	1
		Serial No. 2169 and after				
35	70037A	Clevis Assy.				2
		Serial No. 2168 and before				

## TRANSMISSION AND CONTROLS

REF. NO.	PART NUMBER	DESCRIPTION	QUANTITY			
			4 CYCLE	BIG MAX	340T	295
36	70178A	Threaded Rod End - Serial No. 2169 and after	2	2	2	2
37	70326A	Pushrod Assy. Serial No. 3689 and after	2	2	2	2
38	70176A	Pushrod Assy. Serial No. 3588 and before		2	2	2
39	70031A	Control Lever Assy. LH Serial No. 2168 and before				1
40	70197A	Control Lever Assy. LH Serial No. 2169 and after	1	1	1	1
41	10072A	Locknut 3/8 NF	4	4	4	4
42	10021A	Hex Bolt 3/8 NC x 3/4	2	2	2	2
43	15069A	Star Tolerance Ring	1	1	1	1

# ELECTRICAL SYSTEM



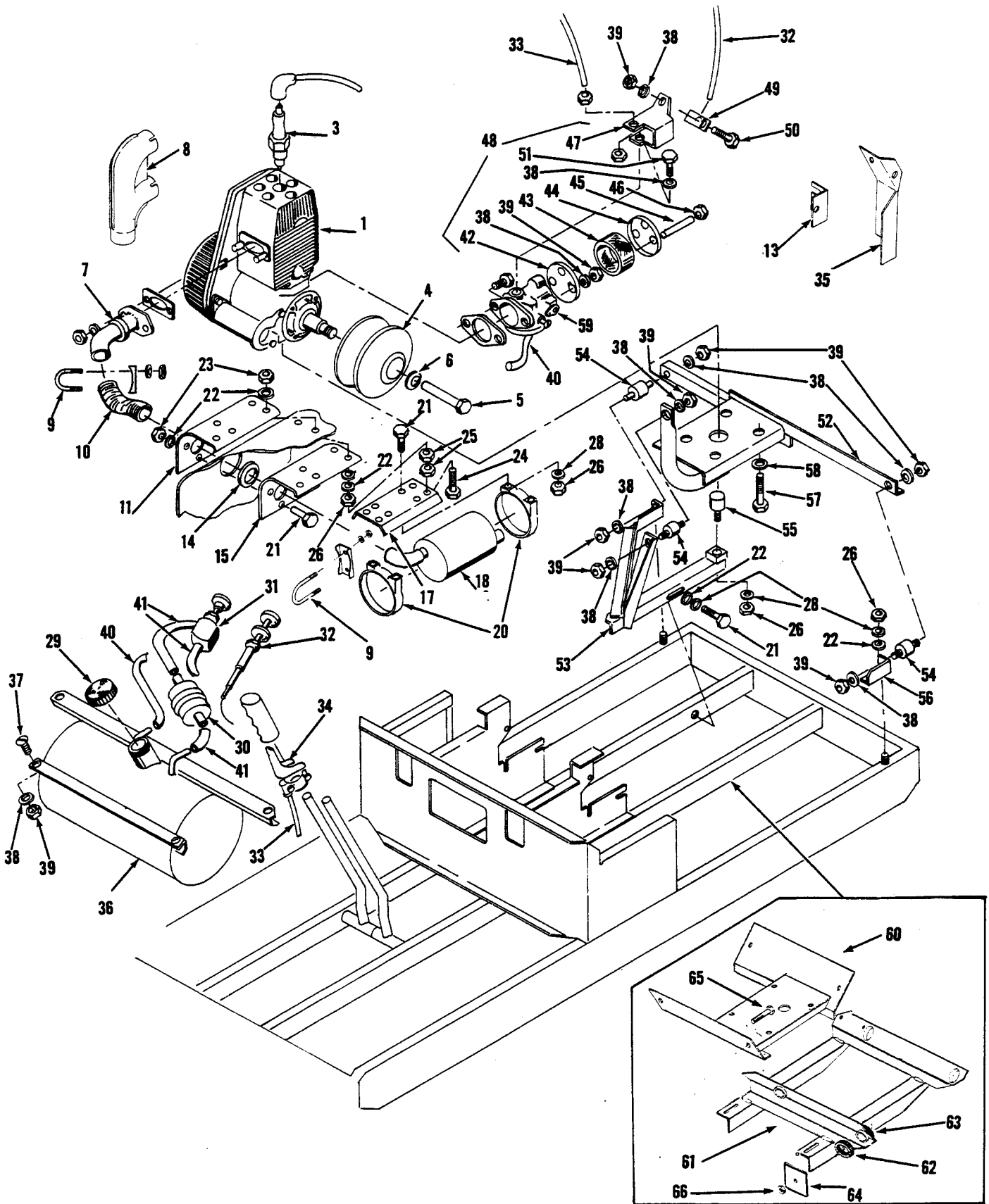
## ELECTRICAL SYSTEM

REF. NO.	PART NUMBER	DESCRIPTION	QUANTITY			
			4 CYCLE	BIG MAX	340T	295
1	20007A	Ignition Switch Serial No. 1061 and before				1
	20036A	Ignition Switch Serial 1062 and after BIG MAX w/JLO Engine		1	1	1
	011004	Ignition Switch BIG MAX w/ Kohler and Kawasaki Engine	1	1		
3	20003A	Wiring Harness Serial 1061 and before				1
	20038A	Wiring Harness Serial 1062 and after				1
	20045A	Wiring Harness 75 Watt System		1		
	20076A	Wiring Harness 150 Watt System		1	1	
	20039A	Wiring Harness Kohler Engine		1		
	20080A	Wiring Harness 16 HP Engine	1			
	20092A	Wiring Harness	1			
	20100A	Wiring Harness Kawasaki		1		
	20099A	Wiring Harness Kohler w/Ammeter Leads		1		
5	15115A	Speed Clamp 5/8				
6	15104A	Tie Wrap				
7	15095A	Tie Wrap				
8	40086A	Headlamp	2	2	2	2
9	20009A	Headlamp Mounting Ring	2	2	2	2
10	20010A	Light Wiring Harness Serial 1061 and before				1
	20042A	Light Wiring Harness Serial 1062 and after	1	1	1	1
12	20000A	Battery	1	1	1	1
13	20047A	Ground Strap	1	1	1	1
14	20026A	Solenoid	1	1	1	1
15	20002B	Positive Battery Cable #8 Wire	1	1	1	1
16	20004A	Rectifier - Bosch 75 Watt System				1
	20074A	Voltage Regulator 150 Watt System	1	1	1	1

ELECTRICAL SYSTEM

REF. NO.	PART NUMBER	DESCRIPTION	QUANTITY			
			4 CYCLE	BIG MAX	340T	295
17	20027A	Positive Starter Cable #8 Wire	1	1	1	1
19	10036A	Wing Nut 1/4 NC	2	2	2	2
20	10037A	Carriage Bolt 1/4 x 1	2	2	2	2
21	10007A	Lock Washer 1/4	2	2	2	2
25	10054A	Hex Nut #10-32	3	3	3	3
26	10055A	Lock Washer #10	3	3	3	3
27	10017A	Hex Bolt 1/4 NC x 3/4	4	4	4	4
28	10001A	Hex Nut 1/4 NC	4	4	4	4
29	10007A	Lock Washer 1/4	5	5	5	5
30	20044A	Fuse - 10 AMP	1	1	1	1
31	20005A	Serial No. 1062 and after Fuse - Bosch Rectifier				2
32	20037A	Weather Cap		1	1	1
		20036A Ignition Switch Only				1
33	30040A	Electric Starter				
	30039A	Electric Starter - Bosch, JLO		1	1	
	30034A	Electric Starter - Sno Start		1	1	
	30044A	Electric Starter - Kohler Engine		1		
	30050A	Electric Starter Kawasaki Engine		1	1	
34		Screw - 10-32 x 3/4 used w/Sno Start Starter		1	1	
	20093A	Ammeter		1		
	20094A	Accessory Jack		1		
	20095A	Accessory Plug		1		
	20083A	Tail Light w/Lens		2		
	20091A	Tail Light Lens		2		
	21083A	Button Plug for Accessory Jack		1		

# ENGINE, EXHAUST & FUEL SYSTEMS



ENGINE, EXHAUST AND FUEL SYSTEMS

REF. NO.	PART NUMBER	DESCRIPTION	QUANTITY		
			4 CYCLE	BIG MAX	340T 295
1	30016B	Engine, JLO Twin Cyl., 400cc Serial No. 3065 to 4485		1	
	30038A	Engine, JLO Twin Cyl., 440cc Serial No. 4486 to 5385		1	
	30043A	Engine, Kohler Twin Cyl. Serial No. 5386 to 6082		1	
	30049A	Engine, Kawasaki Serial No. 6089 to present		1	
	30015A	Engine, JLO Twin Cyl., 340cc			1
	30012A	Engine, JLO L-295 Single Cylinder			1
	016015	Engine, Tecumseh 16 HP 4-Cycle	1		
N.I.	70356A	Engine Air Deflector Kawasaki		1	
3	15145A	Spark Plug - Champion N-3		2	2
	15078A	Spark Plug - Champion K-8			1
	15266A	Spark Plug - Champion L-85	1		
4	15136A	Drive Pulley		1	
	15136A	Drive Pulley - 340T Serial No. 4278 and after			1
	15024A	Drive Pulley Serial No. 3320 and before			1
	15124A	Drive Pulley Serial No. 3321 and after			1
	15124A	Drive Pulley - 340T Serial No. 4277 and before			1
	016014	Drive Pulley	1		
5	15070A	Nut - Drive Pulley 15024A			1
	10093A	Hex Head Bolt 1/2 NF x 5 1/2 Grade 5		1	1
	10158A	Hex Head Bolt 3/8 NF x 2 3/4 Grade 5	1		
	10125A	Hex Head Bolt 1/2 NF x 4 1/2 Grade 5			1
6	10094A	Lock Washer 1/2		1	1
	10009A	Lock Washer 3/8	1		
7	70124A	Exhaust Elbow Serial No. 2562 and before			1
	70201A	Exhaust Elbow Serial No. 2563 and after			1
8	30017A	Exhaust Manifold - JLO Engine		1	1
	30048A	Exhaust Manifold Kohler Engine		1	
	70359A	Exhaust Manifold Kawasaki Engine		1	



ENGINE, EXHAUST AND FUEL SYSTEMS

REF. NO.	PART NUMBER	DESCRIPTION	QUANTITY			
			4 CYCLE	BIG MAX	340T	295
9	15105A	Pipe Clamp (1 3/4" dia.)		2	2	2
	15192A	Pipe Clamp (1 5/8" dia.)		2	2	
		JLO Engine				
	017018	Pipe Clamp (1 1/2" dia.)	3			
10	15050C	Flex Tube				1
	15135B	Flex Tube - JLO Engine, Twin		1	1	
	15268A	Flex Tube	1			
		Kohler Engine		1		
		Kawasaki Engine		1		
11	70185A	Muffler Support - Inner Serial No. 2562 and before				1
	70203A	Muffler Support - Inner Serial No. 2563 and after		1	1	1
	70340A	Muffler Support - Inner	1			
13	70305A	Choke Cable bracket Walbro Carburetor				1
14	70189A	Gasket		1	1	1
	017016	Gasket	1			
15	70191A	Muffler Support - Outer Serial No. 2562 and before				1
	70339A	Muffler Support - Outer Serial No. 2563 and after	1	1	1	1
17	70121A	Muffler Shield		1	1	1
	017012	Muffler Shield	1			
18	15052A	Muffler Serial No. 2562 and before				1
	70258A	Muffler		1	1	1
	017017	Muffler	1			
20	15053A	Muffler Clamp	2	2	2	2
21	10019A	Hex Bolt 5/16 NC x 3/4	8	8	8	8
22	10014A	Flat Washer 5/16	16	16	16	16
23	10070A	Locknut 5/16 NC	7	7	7	7
24	10067A	Hex Bolt 5/16 NC x 2	4	4	4	4
25	10003A	Hex Nut 3/8 NC - Spacer	8	8	8	8
26	10005A	Hex Nut 5/16 NC	13	13	13	13
28	10008A	Lock Washer 5/16	9	9	9	9
29	15058A	Fuel Cap	1	1	1	1
30	15071A	Fuel Filter	1	1	1	1
31	15059A	Fuel Shut-off	1	1	1	1
32	15039A	Choke Cable	1		1	1
		BIG MAX		1		
		Serial 5088 and before				
		BIG MAX w/Kawasaki		1		
33	15202A	Throttle Cable Serial No. 6088 and before		1	1	1
	012005	Throttle Cable w/Kawasaki		1		
	012022	Throttle Cable w/4-Cycle	1			

ENGINE, EXHAUST AND FUEL SYSTEMS

REF. NO.	PART NUMBER	DESCRIPTION	QUANTITY			
			4 CYCLE	BIG MAX	340T	295
34	15041A	Throttle Lever		1	1	1
	012007	Throttle Lever	1			
	012007	Throttle Lever w/Kawasaki		1		
35	70311A	Cable Bracket				
36	70250A	Fuel Tank			1	1
		Fuel Tank w/Single pick-up	1			
37		Same				
38		Same				
39		Same				
40	01020A	Vinyl Tubing 3/16 I.D. Used with WR and WD Carb.		9	9	9
41	01025A	Tygon Fuel Line 1/4" I.D.	11	11	11	11
42	70196A	Filter Flange (dished) w/WR and WD Carb.		1	1	1
	30046A	Filter Back Plate w/Kohler Engine		1		
43	15112A	Filtron Filter 3" (Convert to 15141A)			1	1
	15141A	Filtron Filter 5"		1	1	1
	15279A	Filter Element K&N HU-10 w/Kohler Engine		1		
	15288A	Air Cleaner K&N RU-66 Kawasaki		1		
44	70195A	Filter Flange - Outer w/WR and WD Carb.		1	1	1
	30045A	Filter Cover w/Kohler Engine		1		
45	10089A	Threaded Stud 1/4 NC x 5" w/JLO Engine		1	1	1
46	10069A	Locknut - w/JLO Engine		3	3	3
47	70209A	Cable Bracket				1
49	15077A	Choke Cable Clamp		1	1	1
50	10017A	Hex Bolt 1/4 NC x 3/4		1	1	1
51	10060A	Hex Bolt 1/4 NC x 1/2				1
52	70142A	Engine Mount - Upper Serial No. 3631 and before				1
53	70137A	Engine Mount - Lower Serial No. 3631 and before				1
54	15037A	Flex Bolt Serial No. 3631 and before				3
55	15038A	Snubber Mount Serial No. 3631 and before				1
56	70138A	Angle Bracket Serial No. 3631 and before				1
57	10056A	Hex Bolt 7/16 NC x 1				4
	10161A	Hex Bolt 1/2 NC x 1 Kawasaki Engine		4		

ENGINE, EXHAUST AND FUEL SYSTEMS

REF. NO.	PART NUMBER	DESCRIPTION	4 CYCLE	QUANTITY		
				BIG MAX	340T	295
58	10057A	Lock Washer 7/16				4
	10126A	Lock Washer 1/2		4		
59	30018A	Carburetor WR				1
	30021A	Carburetor WD		1	1	
		JLO Twin Cylinder Engine				
	30042A	Carburetor WF - Kohler Engine		1		
	30052A	Carburetor Mikuni VM-34 w/230 Jet		1		
N.I.	012503	Carburetor Flange Mikuni Car.		1		
N.I.	012004	Fuel Pump Kawasaki Only		1		
60	70274A	Engine Mount - Upper JLO Twin Cylindred		1	1	
	70336A	Engine Mount - Upper - Kohler		1		
	70357A	Engine Mount - Upper Kawasaki		1		
	70323A	Engine Mount - Upper Serial 3632 and after				1
61	70270A	Engine Mount - Lower		1	1	1
62	15139A	Flex Mount Ring Twin Cylinder Engine		4	4	
	15259A	Flex Mount Ring Single Cylinder Engine				4
63	15140A	Flex Mount Bushing		4	4	
	15260A	Flex Mount Bushing				4
64	10090A	Flat Washer 2" Dia.		4	4	4
N.I.	70269A	Spacer - inside Flex Mount		4	4	4
65	10065A	Hex Bolt 5/16 NC x 1 1/2		4	4	4
66	10070A	Locknut 5/16 NC		4	4	4

MAX II 4-CYCLE ONLY

REF. NO.	PART NUMBER	DESCRIPTION	4-CYCLE
101	017015	1" x 2" Black Pipe Nipple	1
102	017013	90° Black Elbow	2
103	017023	1" x 2" Black Pipe Adapter	3
104	017020	45° Black Elbow	1
105	017022	1" x 3" Black Pipe Elbow	1
106	70334A	Front Engine Mount	1
107	70335A	Rear Engine Mount	1
108	15267A	Rubber Mount - Left Side	2
109	15281A	Rubber Snubber - Center	2
110	016009	Rubber Mount - Right	2
	10022A	3/8 NC x 1" HH Bolt	4
		3/8 NC Locknut	6
		3/8 NF Locknut	4

